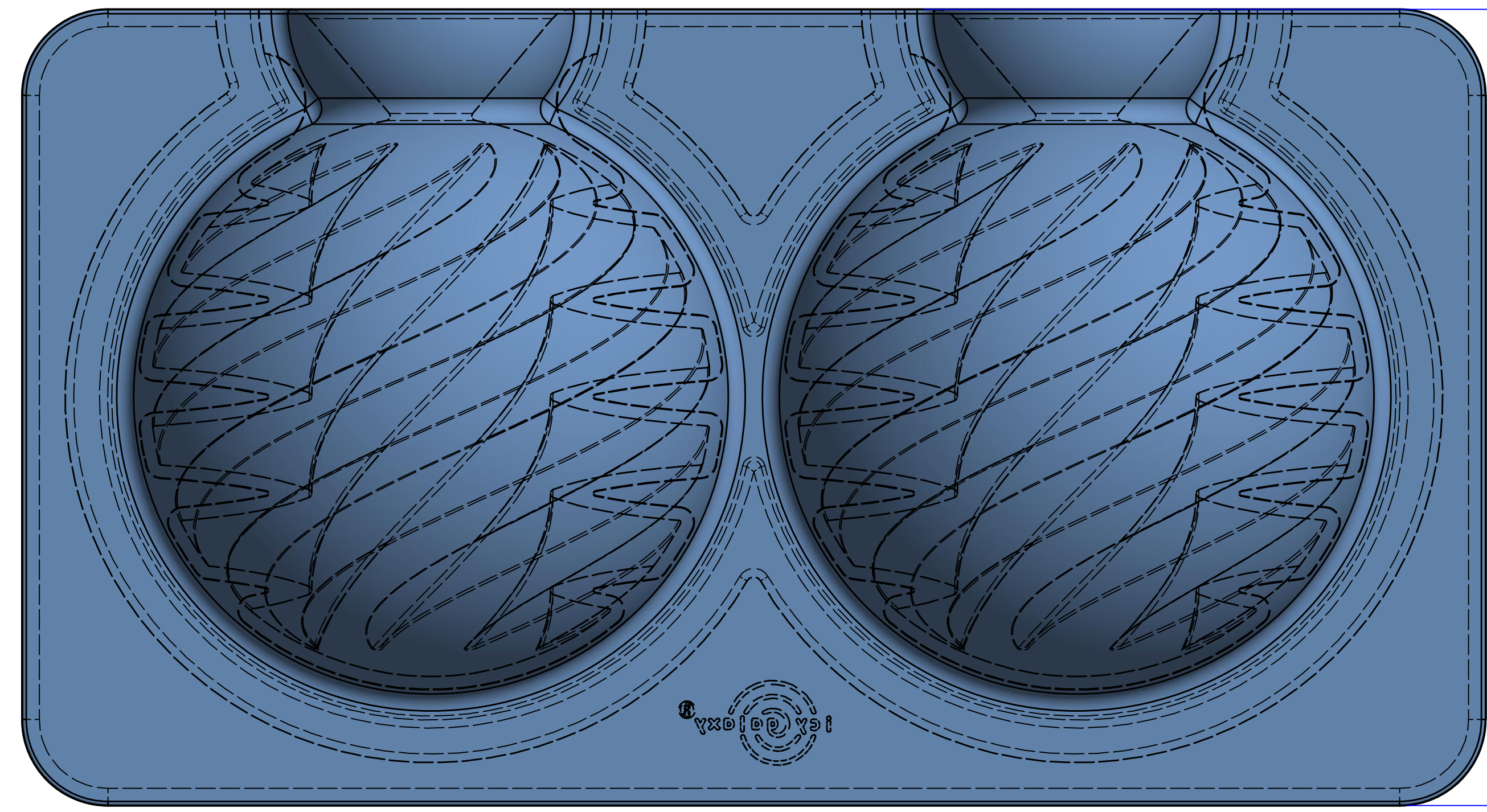


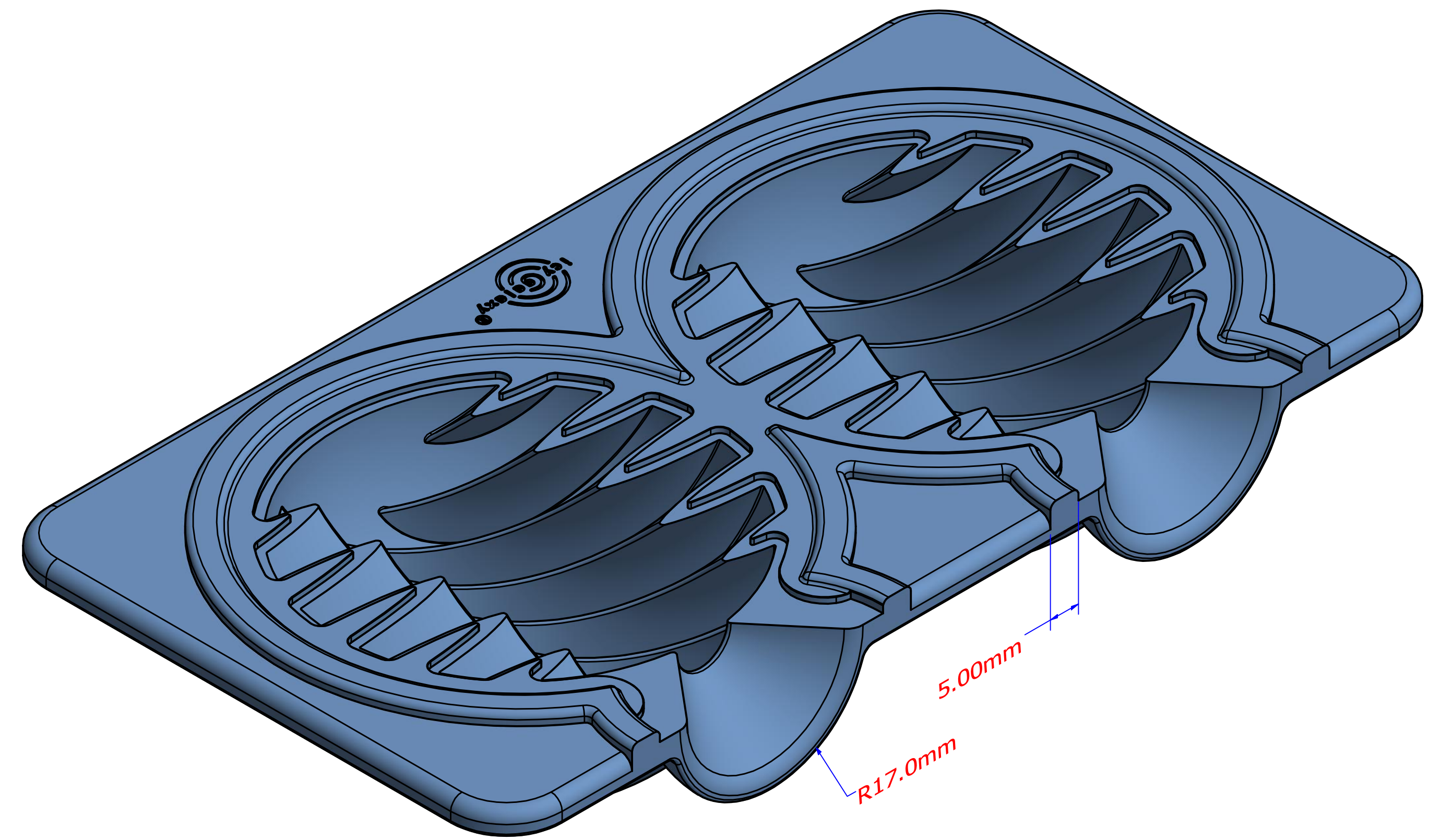
8 7 6 5 4 3 2 1

D

D



92.5mm

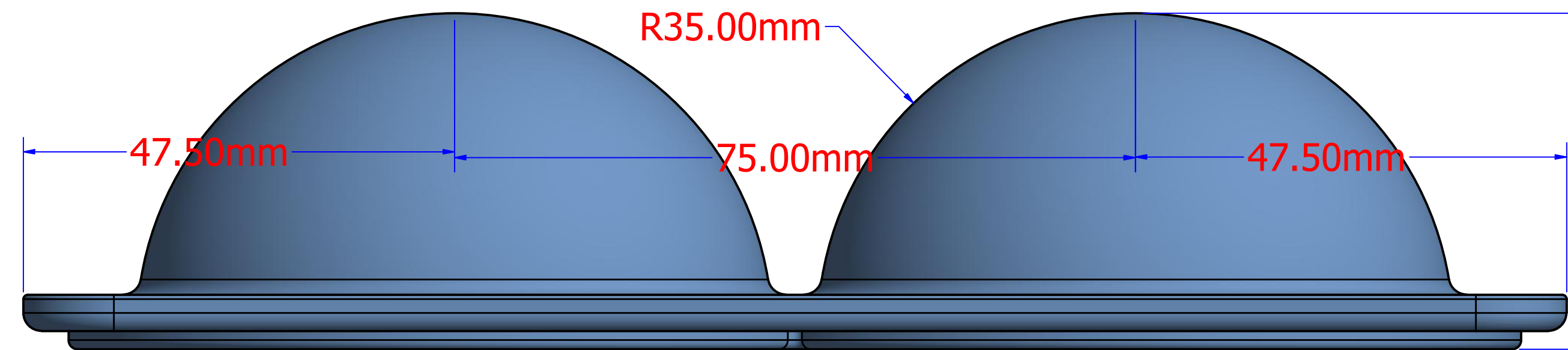


5.00mm

R17.0mm

C

C



R35.00mm

47.50mm

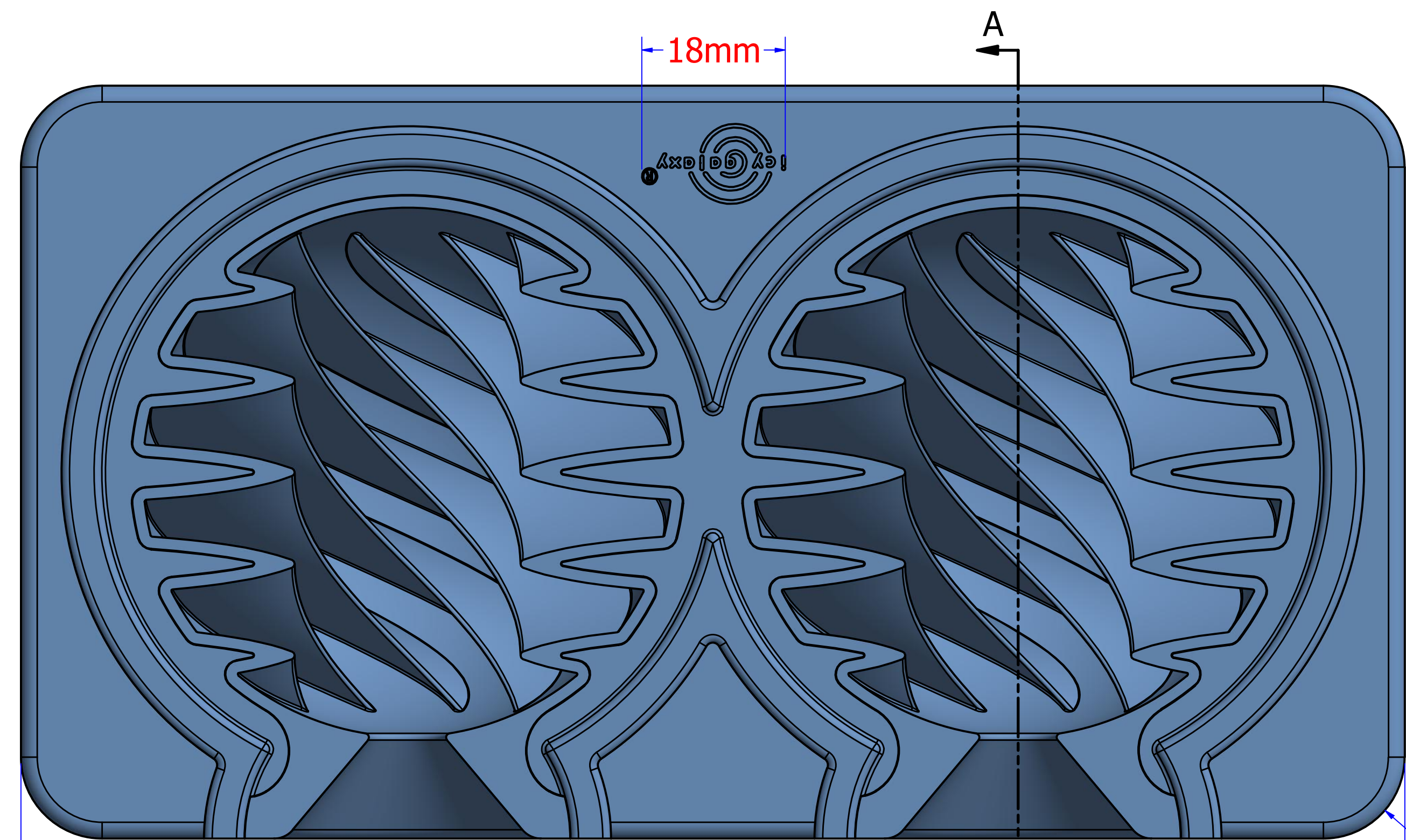
75.00mm

47.50mm

37.0mm

B

B



18mm

A

R10.00

A

170.00mm

4.00mm

6.00mm

R35.00mm

R32.50mm

2.50mm

SECTION A-A
SCALE 2 : 1

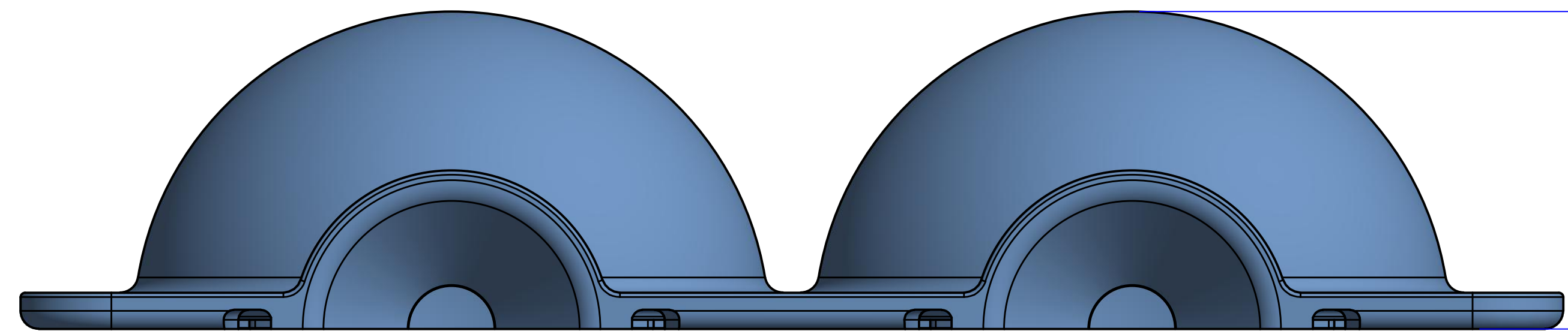
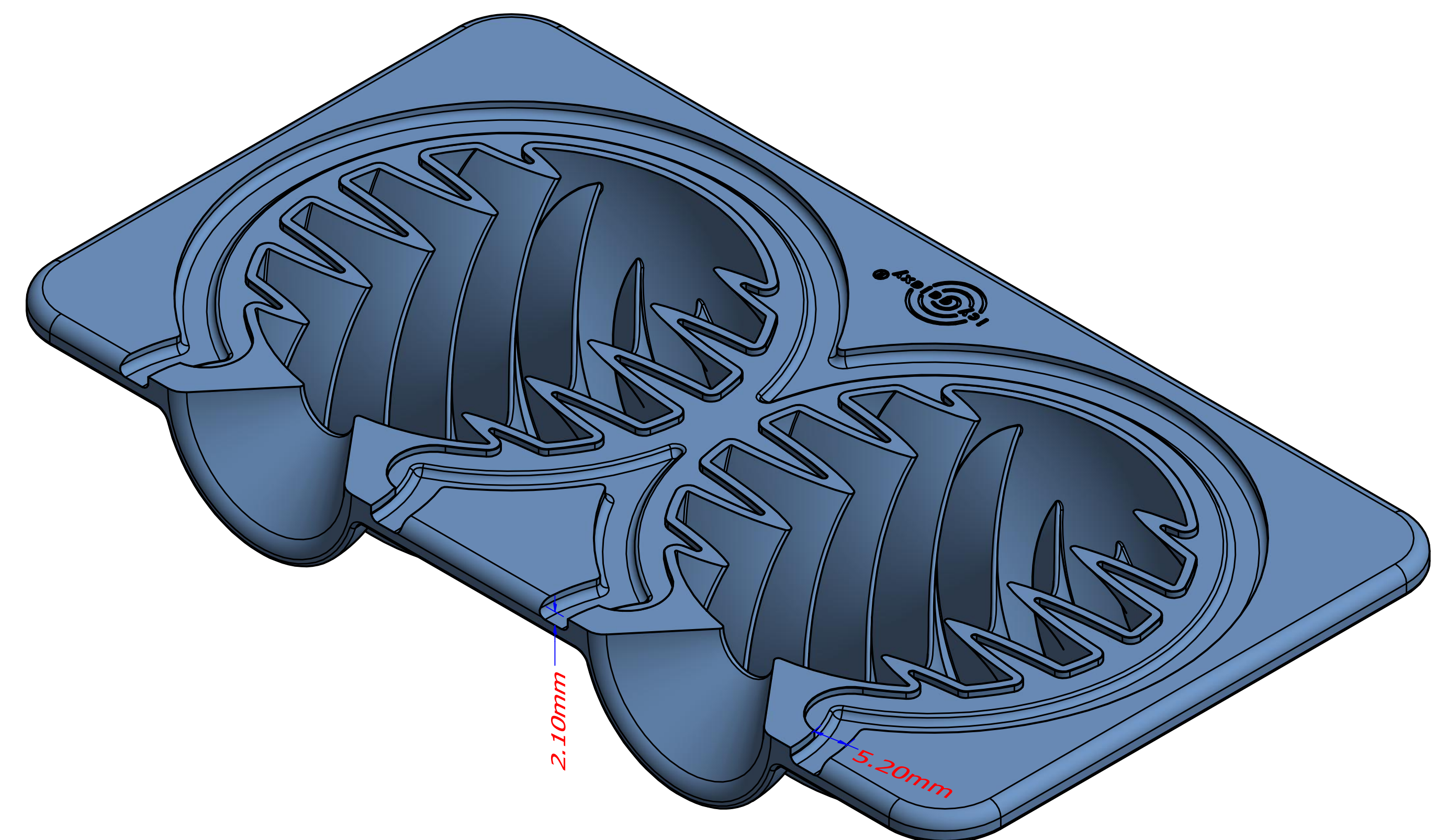
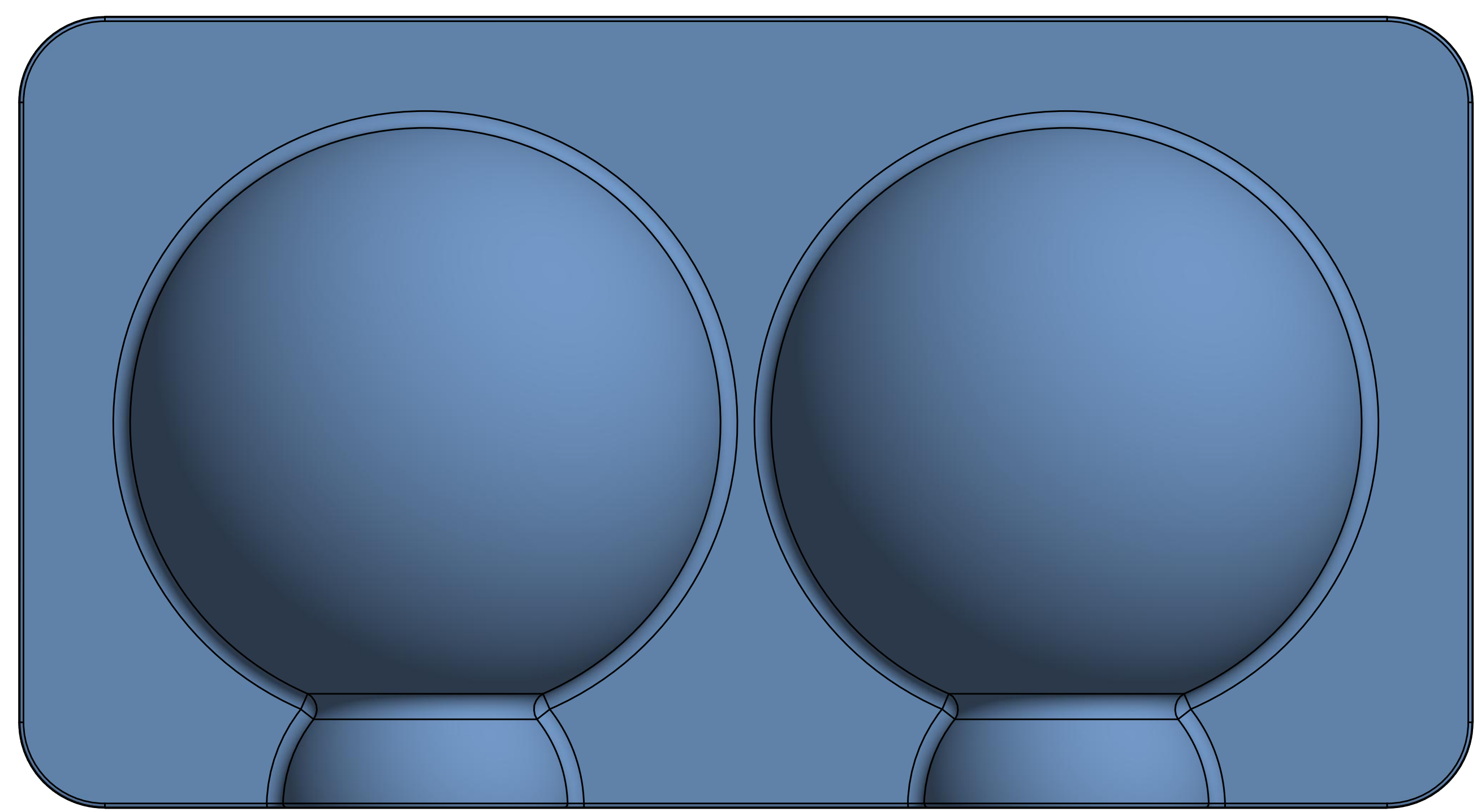
A

A

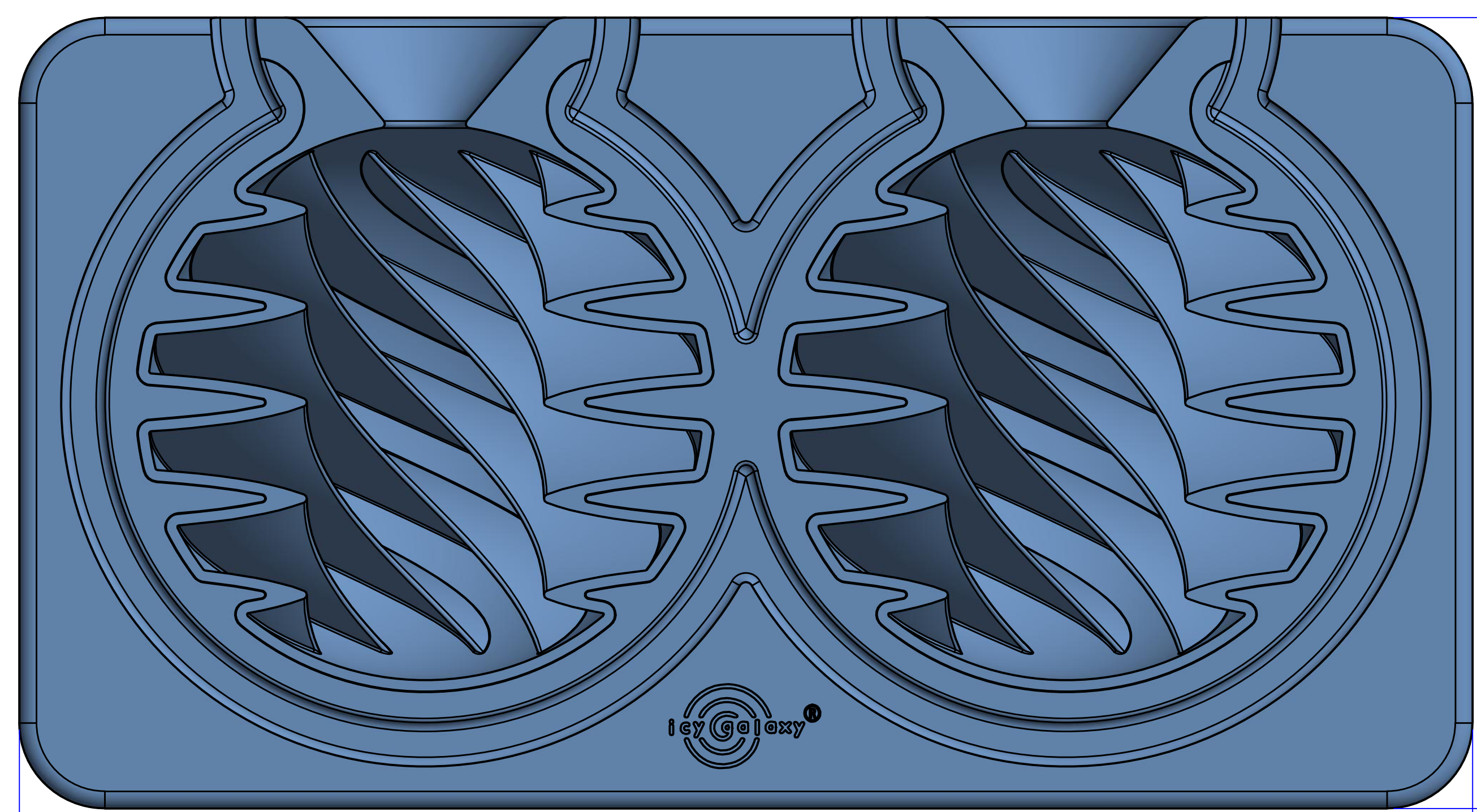
DRAWN	11/26/2020		
User		TITLE	
CHECKED			
QA			
MFG			
APPROVED			
		SIZE	DWG NO
		D	ICE DUBEL 1 gadid
		SCALE 2 : 1	REV
		SHEET 1 OF 1	

8 7 6 5 4 3 2 1

8 7 6 5 4 3 2 1



35.00mm

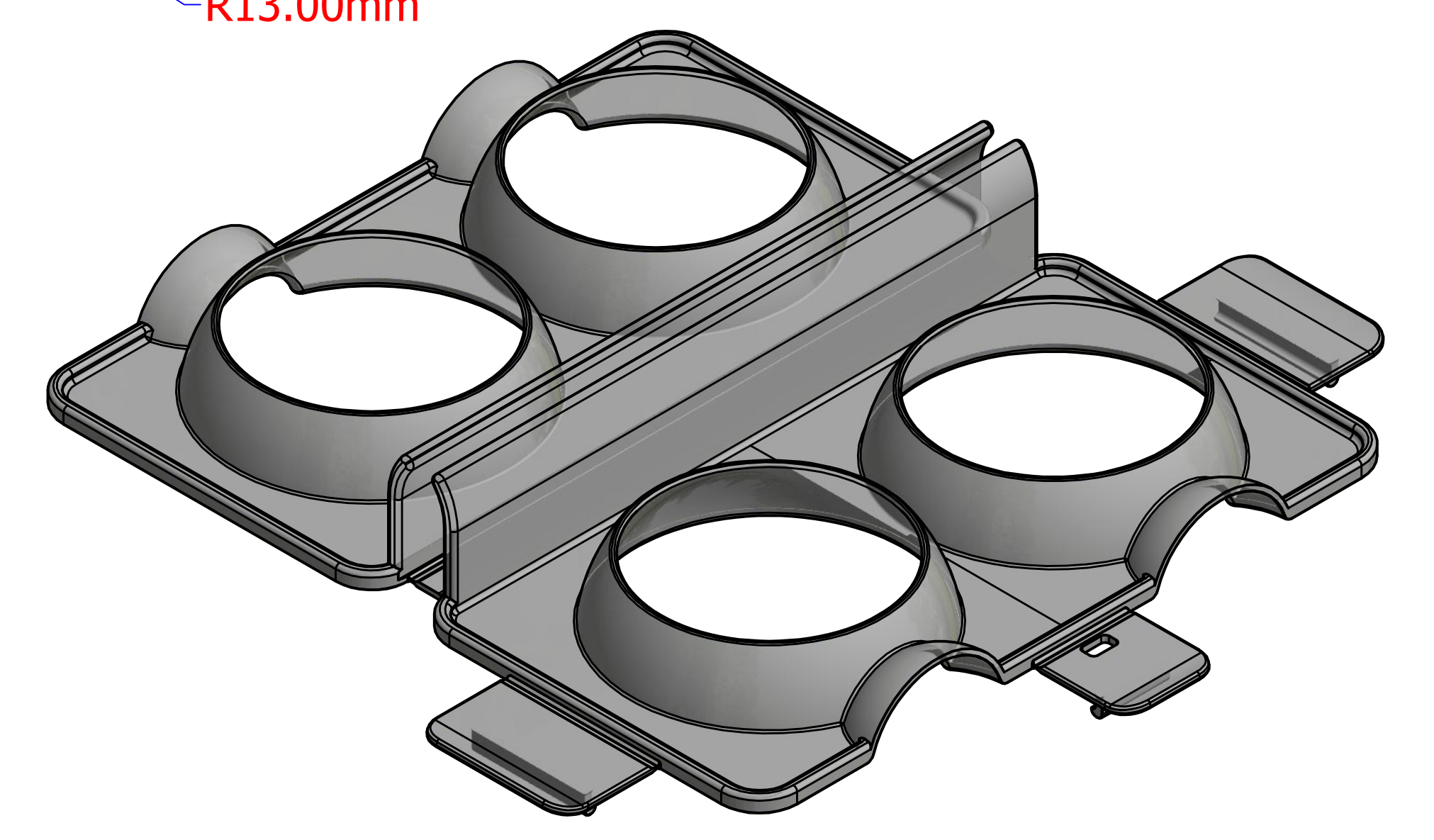
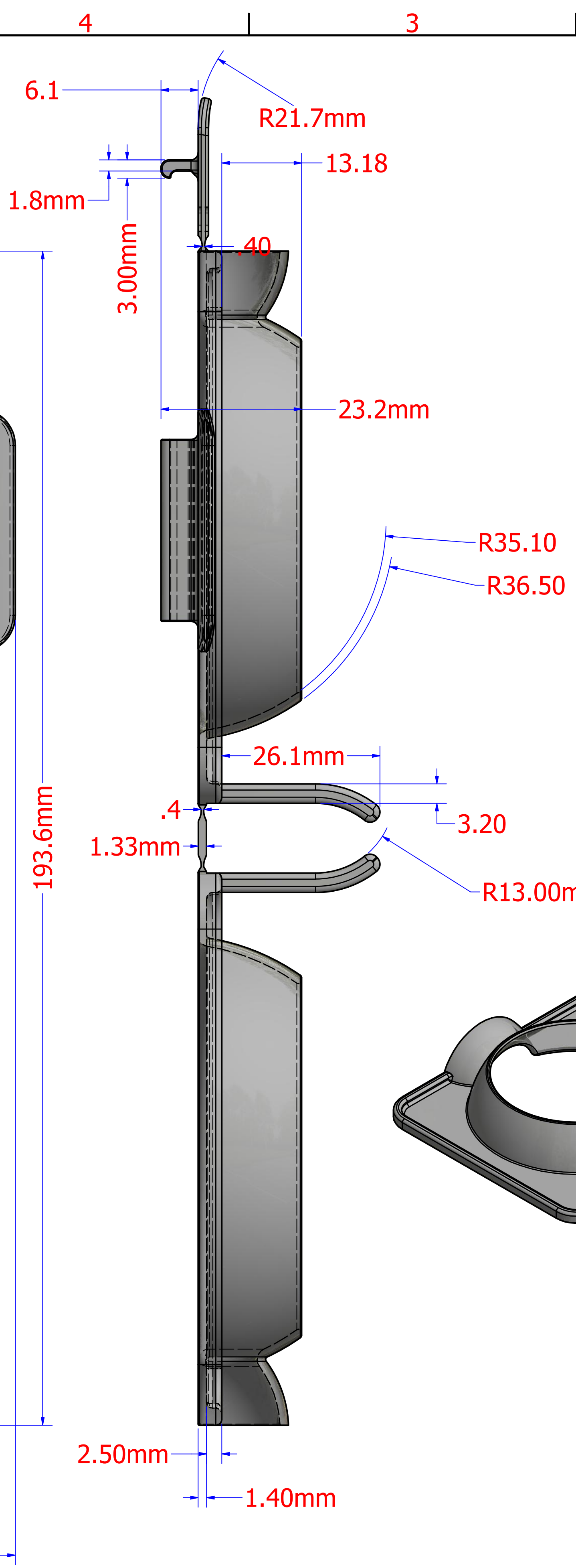
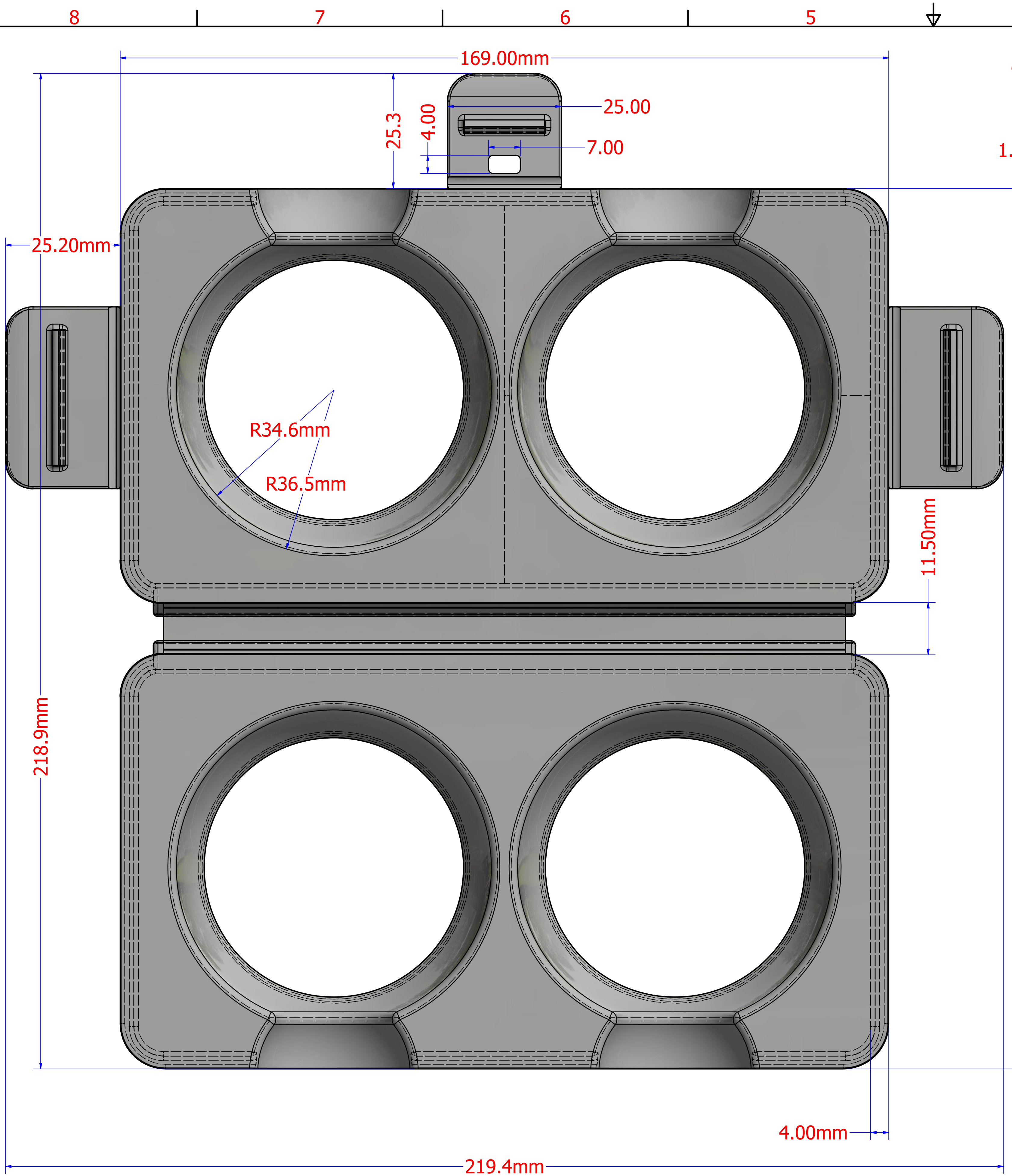


92.50mm

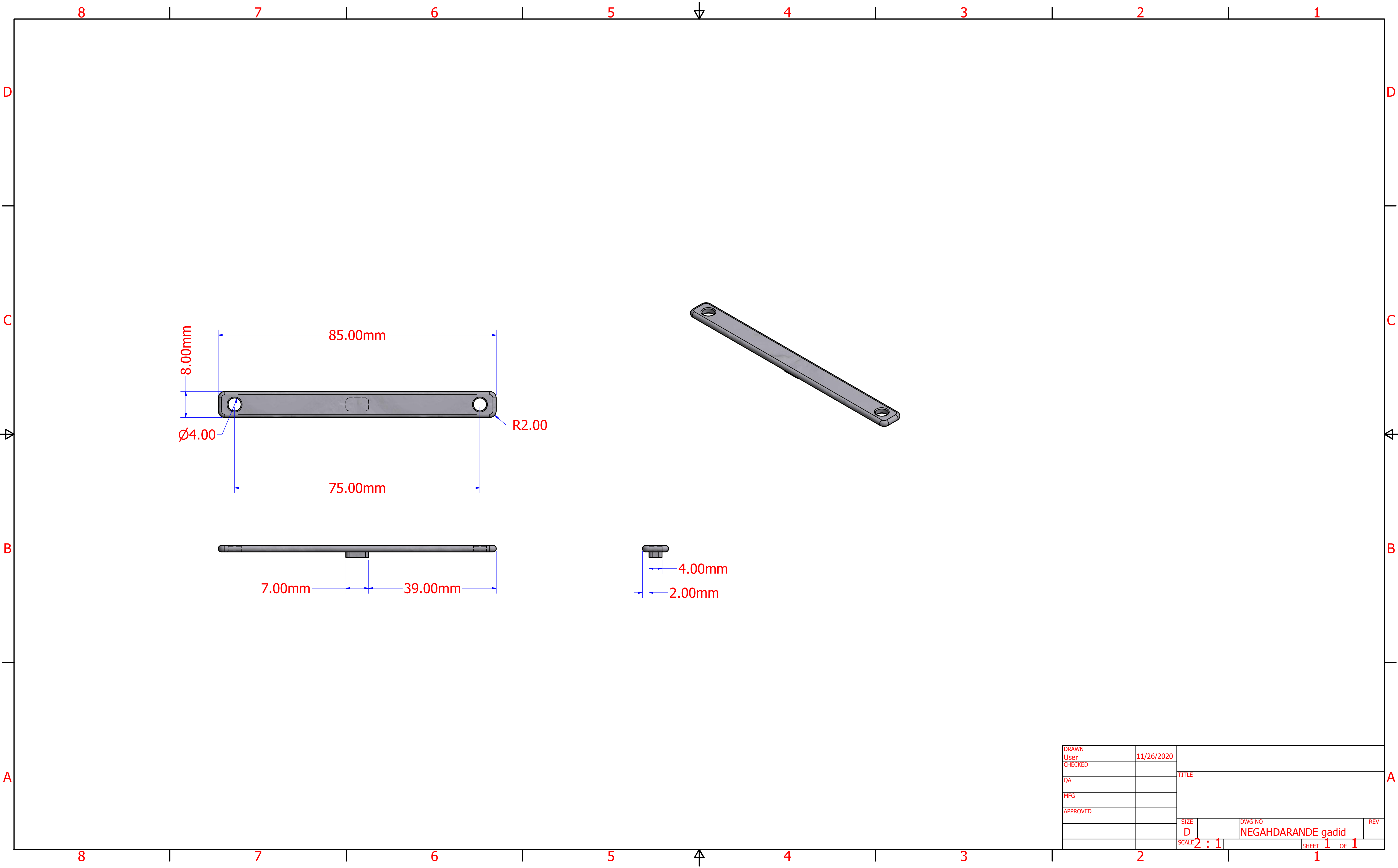
170.00mm

DRAWN	11/26/2020		
User			
CHECKED		TITLE	
QA			
MFG			
APPROVED			
		SIZE	DWG NO
		D	ICE DUBEL 2 gadid
		SCALE	2 : 1
		SHEET	1 OF 1

8 7 6 5 4 3 2 1



DRAWN	11/26/2020		
User		TITLE	
CHECKED			
QA			
MFG			
APPROVED			
		SIZE	DWG NO
		D	ICE DUBEL dar gadid present
		SCALE	REV
		2 : 1	
		SHEET 1 OF 1	



DRAWN	11/26/2020			
User				
CHECKED		TITLE		
QA				
MFG				
APPROVED				
		SIZE	DWG NO	REV
		D	NEGAHDARANDE gadid	
		SCALE 2 : 1	SHEET 1 OF 1	